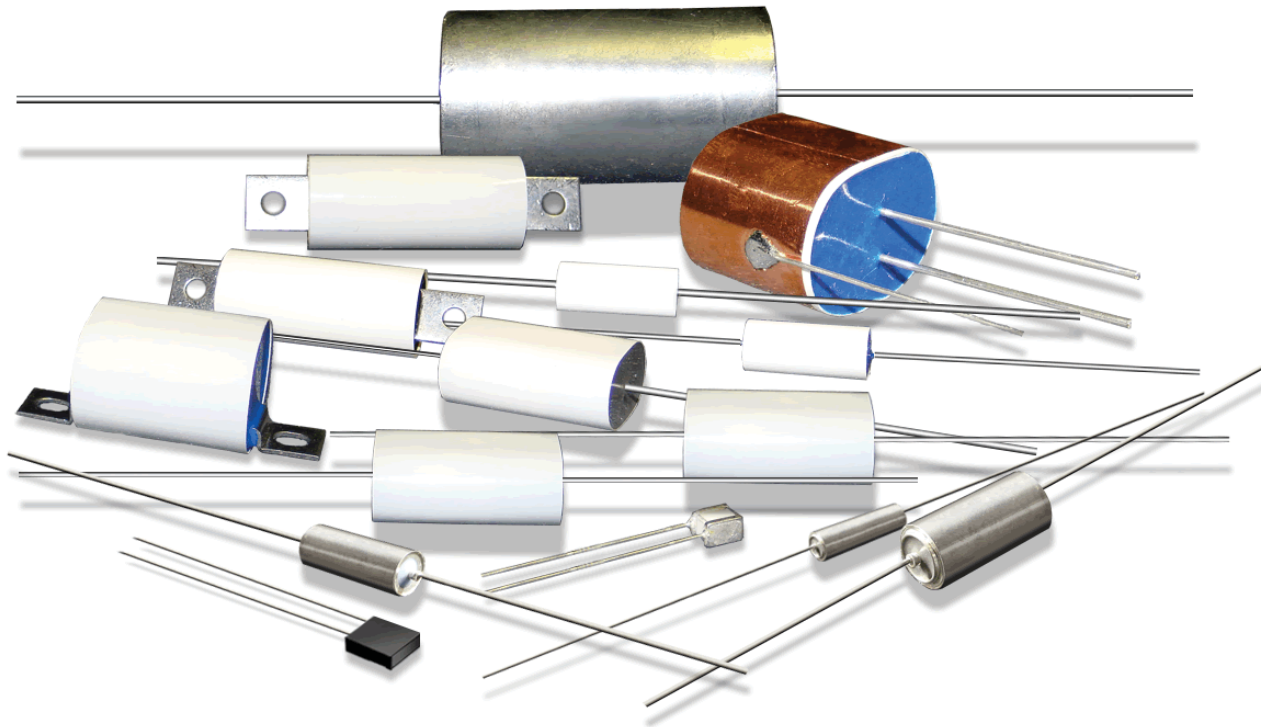


QPL SERIES

Established Reliability Capacitors

For applications requiring high reliability

For applications requiring high reliability and long service life. AVAILABLE U.S. MANUFACTURING ONLY



FEATURES

- High Reliability
- Size and Weight Miniaturization
- Electrical and Mechanical Performance

ELECTRICAL DATA

ECI PREFIX	MIL PART NUMBERS	CAP μ F	VDC	TOLERANCE	NOTES
CFR02	PRF-55514/1	0.0068 ~ 1.0	100 ~ 600	$\pm 1\%$, $\pm 2\%$, $\pm 5\%$, $\pm 10\%$	Axial/Round
CFR05	PRF-55514/4	0.0010 ~ 50.0	50 ~ 400	$\pm 1\%$, $\pm 2\%$, $\pm 5\%$, $\pm 10\%$	Axial/Round
CFR06	PRF-55514/4	0.0010 ~ 50.0	50 ~ 400	$\pm 1\%$, $\pm 2\%$, $\pm 5\%$, $\pm 10\%$	Axial or Radial/Oval
CFR13	PRF-55514/9	1.0000 ~ 30.0	100 ~ 400	$\pm 5\%$, $\pm 10\%$, $\pm 20\%$	Axial/Round
CFR14	PRF-55514/9	1.0000 ~ 30.0	100 ~ 400	$\pm 5\%$, $\pm 10\%$, $\pm 20\%$	LUG/Round
CFR15	PRF-55514/10	0.0056 ~ 1.0	200 ~ 800	$\pm 5\%$, $\pm 10\%$, $\pm 20\%$	Axial/Round
CFR26	PRF-55514/11	5.0000 ~ 50.0	50 ~ 100	$\pm 5\%$, $\pm 10\%$, $\pm 20\%$	LUG/Low Profile
CFR27	PRF-55514/11	5.0000 ~ 50.0	50 ~ 100	$\pm 5\%$, $\pm 10\%$, $\pm 20\%$	LUG/High Profile
CFR29	PRF-55514/12	3.0000 ~ 50.0	50 ~ 100	$\pm 5\%$, $\pm 10\%$, $\pm 20\%$	Radial/Oval

For more information please refer to:

Military specification (general) MIL-C-**55514** (same as MIL-PRF-55514 and CFR)

<http://www.dscclia.mil/Downloads/MilSpec/Docs/MIL-PRF-55514/prf55514.pdf>

ECI PREFIX	MIL PART NUMBERS	CAP μ F	VDC	TOLERANCE	NOTES
CHR10	PRF-39022/10	0.0100 ~ 22.0	50 ~ 600	$\pm 1\%$, $\pm 2\%$, $\pm 5\%$, $\pm 10\%$	Axial/Hermetic

For more information please refer to:

Military specification (general) MIL-C-**39022** (same as MIL-PRF-39022 and CHR)

<http://www.dscclia.mil/Downloads/MilSpec/Docs/MIL-PRF-39022/prf39022.pdf>

ECI PREFIX	MIL PART NUMBERS	CAP μ F	VDC	TOLERANCE	NOTES
CRH	PRF-83421/01	0.0010 ~ 22.0	30 ~ 400	$\pm 1\%$, $\pm 2\%$, $\pm 5\%$, $\pm 10\%$	Axial/Hermetic/VAC

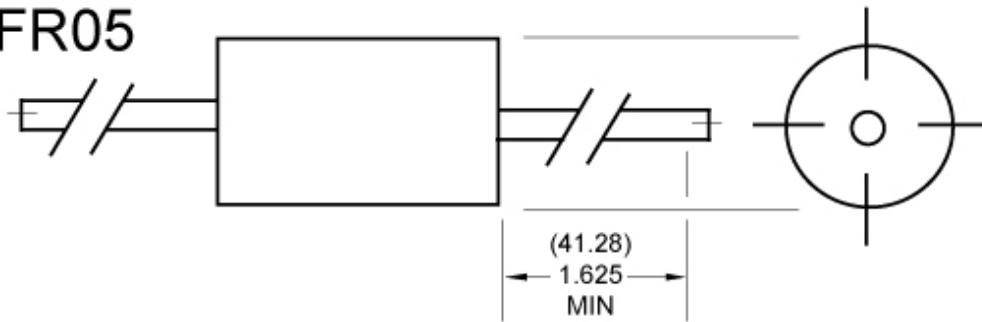
For more information please refer to:

Military specification (general) MIL-C-**83421** (same as MIL-PRF-83421 and CRH)

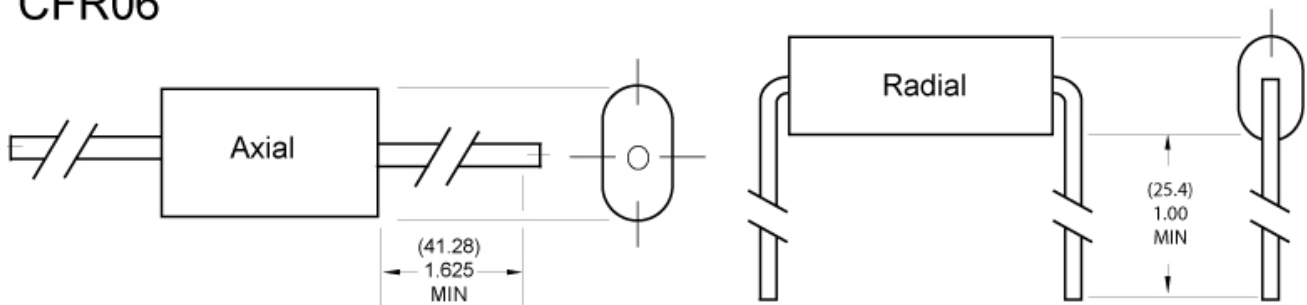
<http://www.dscclia.mil/Downloads/MilSpec/Docs/MIL-PRF-83421/prf83421.pdf>

MECHANICAL DATA

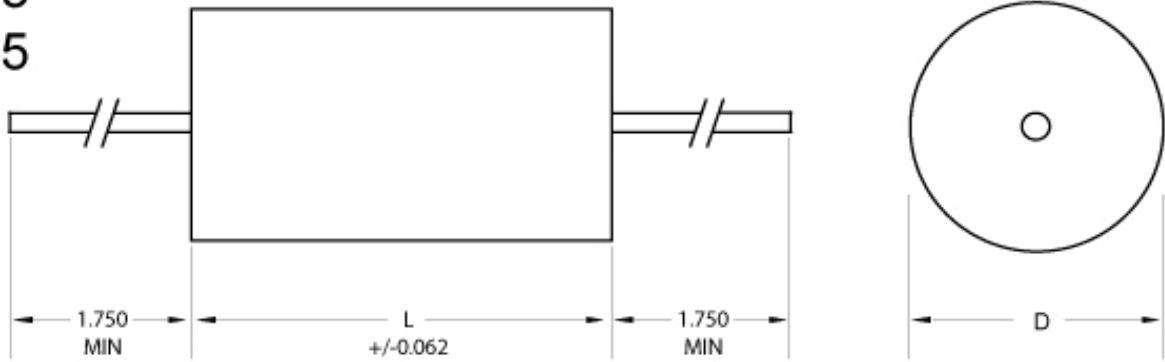
CFR02
CFR05



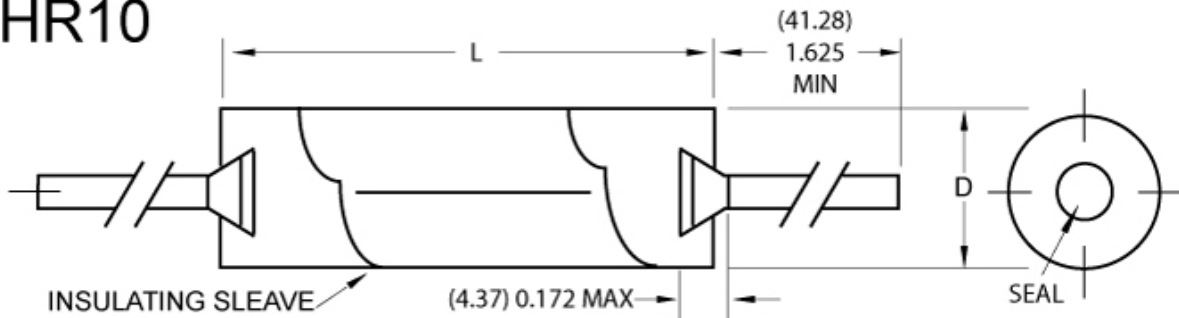
CFR06



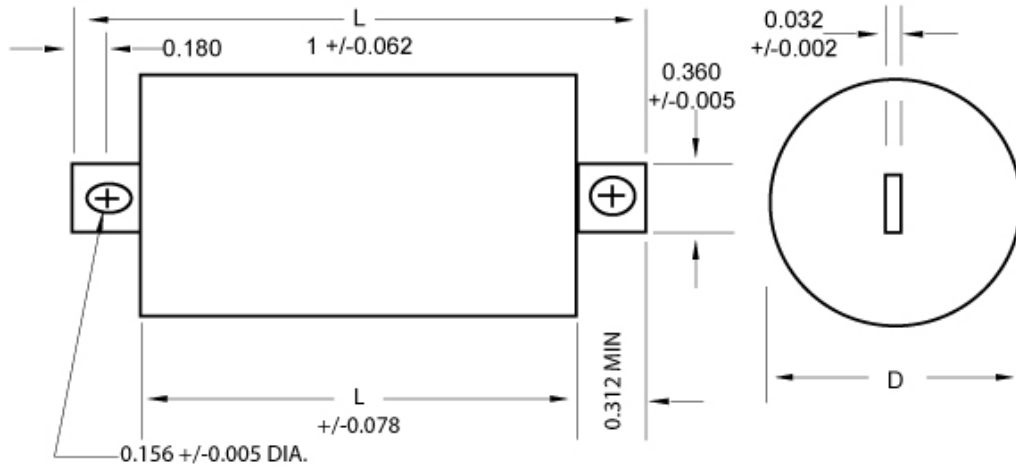
CFR13
CFR15



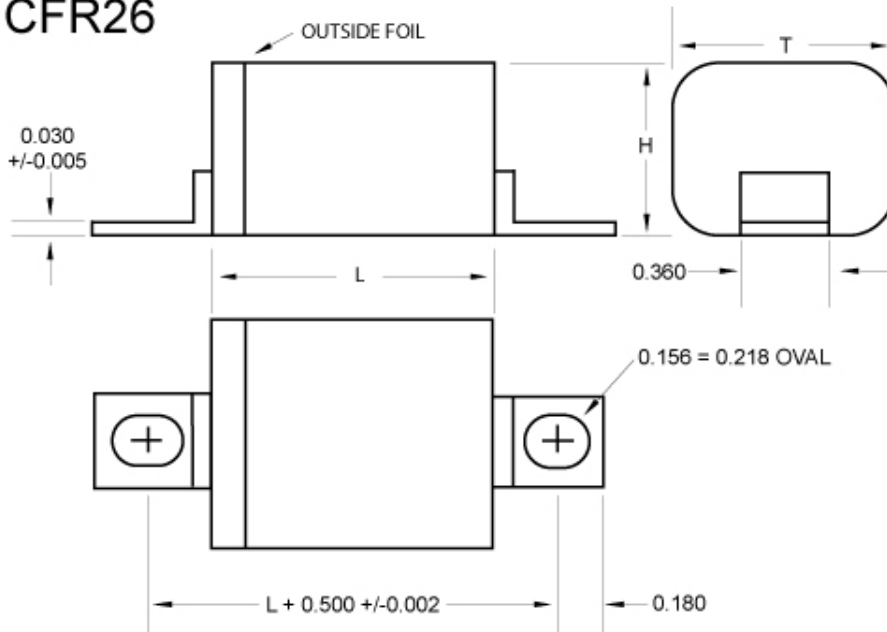
CHR10



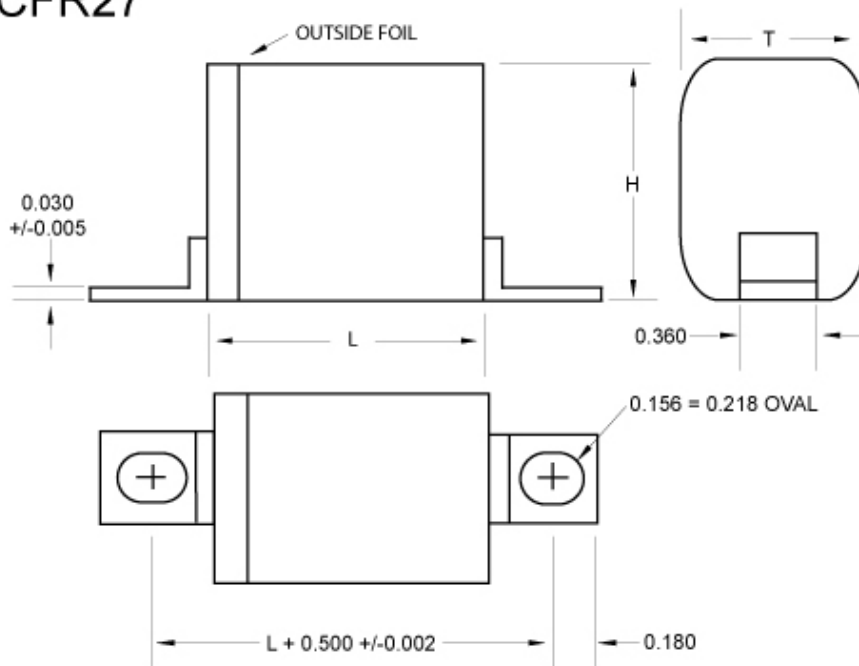
CFR14



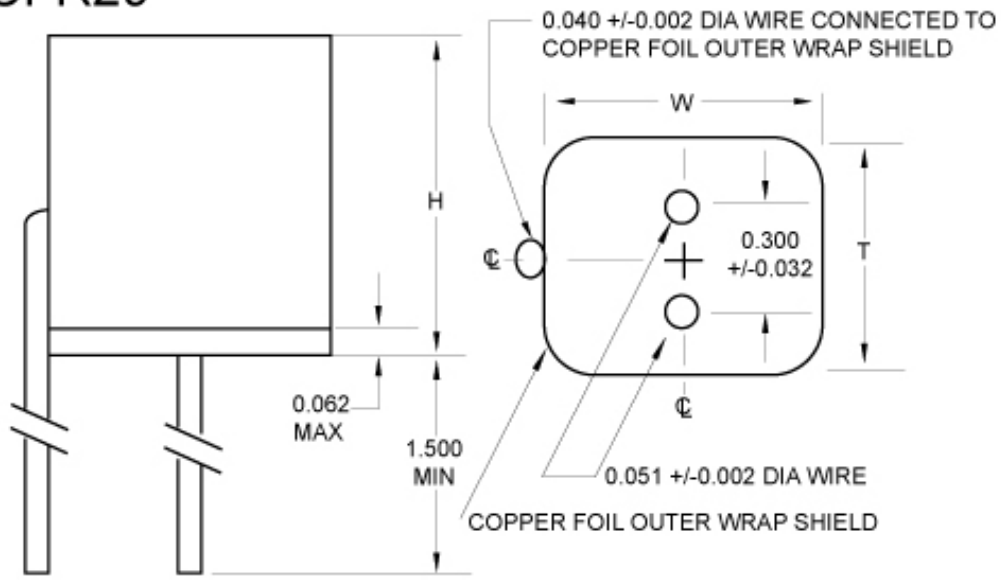
CFR26



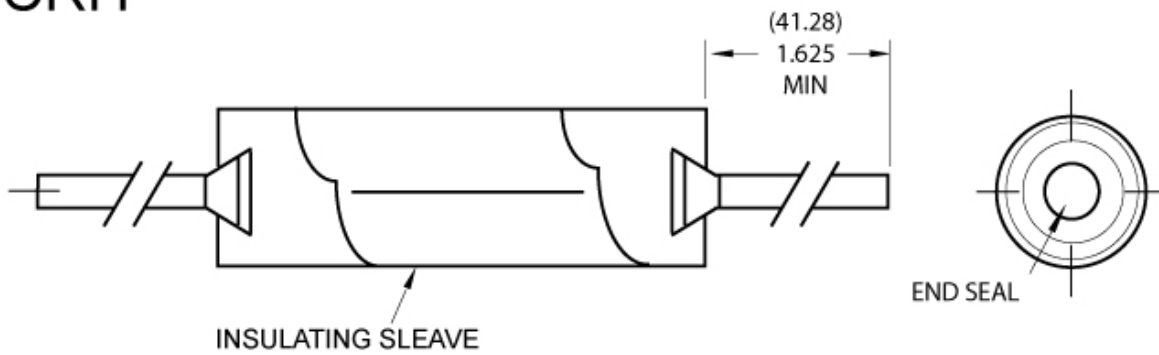
CFR27



CFR29



CRH



ADDITIONAL INFORMATION

Electronic Concepts is a major MIL approved source for professional grade, high quality, high reliability film capacitors. The reasons for this is an ability to not only anticipate the need for new capacitor designs to meet evolving military requirements - but also to design and build products for these needs. To this end, efforts are on-going in all areas of product development, encompassing the film dielectric, encapsulates and configuration design. The results are a constant flow of improvements in electrical and mechanical performance, reliability, and size/weight miniaturization.

Electronic Concepts is also the only capacitor manufacturer in the world to produce polycarbonate film dielectric in-house. This affords total control of all parameters of this most "critical to qualify" product component - and therefore a distinct advantage over other capacitor suppliers. Additionally there's vertically integrated manufacturing: modern, automated production and a unique level of application engineering expertise. Working with all of these tools, Electronic Concepts will continue to redefine "sophistication" as it applies to film capacitors for future military requirements.

HOW TO ORDER

TYPE	→	
STYLE / VOLTAGE	→	
CAPACITANCE IN PICO FARADS	→	
TOLERANCE	→	

Marking And Date Code

All capacitors are marked with company initials "EC", corporate logo or EC trademark—in addition to type QPL, capacitance, tolerance, rated DC working voltage and date code. The first two digits of the date code represent the year, the second two digits the week, i.e., 0952 is the 52nd week of 2009, 0902 is the second week of 2009.

Quality Assurance

Major emphasis is placed on quality assurance. EC is an ISO 9001-2000 and AS9100:2004 Certified Company. Raw material inspection and the use of SPC manufacturing procedures assure the highest quality standards. Procedures are fully described in the EC Quality Control Manual. Electronic Concepts will continue to advance the state-of-the-art by utilizing leading edge technology, compact capacitor designs and establishing reliability procedures.

Sales Offices

United States

Eastern:

Headquarters

P.O. Box 1278

Eatontown, NJ 07724

Tel: 732-542-7880

Fax: 732-542-0524

Central:

Illinois 630-668-8747

email: sales@ecicaps.com

website: www.ecicaps.com

Europe

Ireland

Electronic Concepts LTD

IDA Estate, Oughterad

Co. Galway, Ireland

tel: +353-91-552385

fax: +353-91-552387

email: sales@ecicaps.ie

website: www.electronicconcepts.ie

Rev. A

