


ORIGINAL

REV	DESCRIPTION	DATE	APPR BY	"THIS DOCUMENT AND THE DATA DISCLOSED HEREIN OR HERewith IS NOT TO BE REPRODUCED, USED, OR DISCLOSED IN WHOLE OR IN PART TO ANYONE WITHOUT THE PERMISSION OF ELECTRONIC CONCEPTS INC." UNLESS OTHERWISE SPECIFIED: DEBURR AND BREAK ALL SHARP EDGES MATERIAL TO BE FREE OF ANY MANUFACTURING OILS OR AGENTS.	
				DATE:	11/04/20
				DRAWN BY:	BT
				APPROVED BY:	DC
				SCALE:	NONE
E	RELEASED	11/04/20		FSCM NO.	50558

TOLERANCES (EXCEPT AS NOTED)

DECIMAL ANGLES

0.02 in ±0.5°



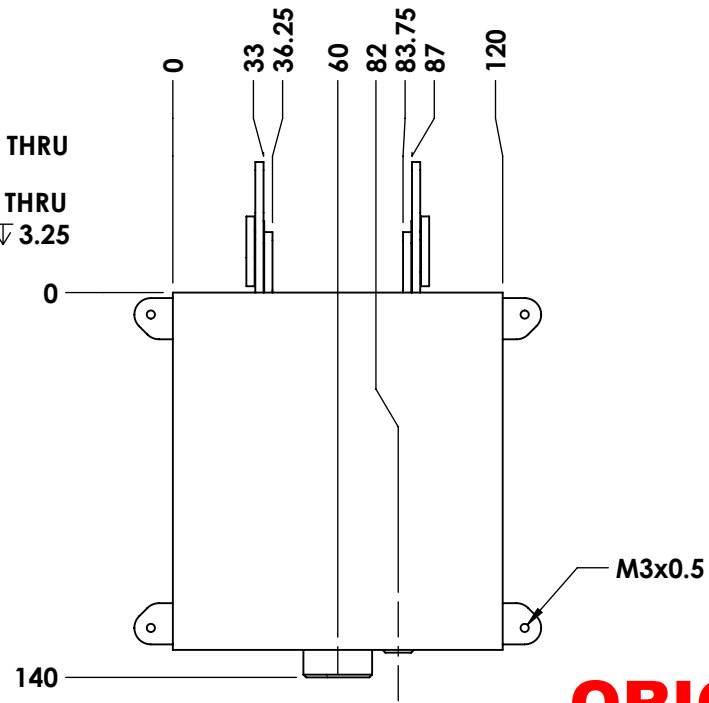
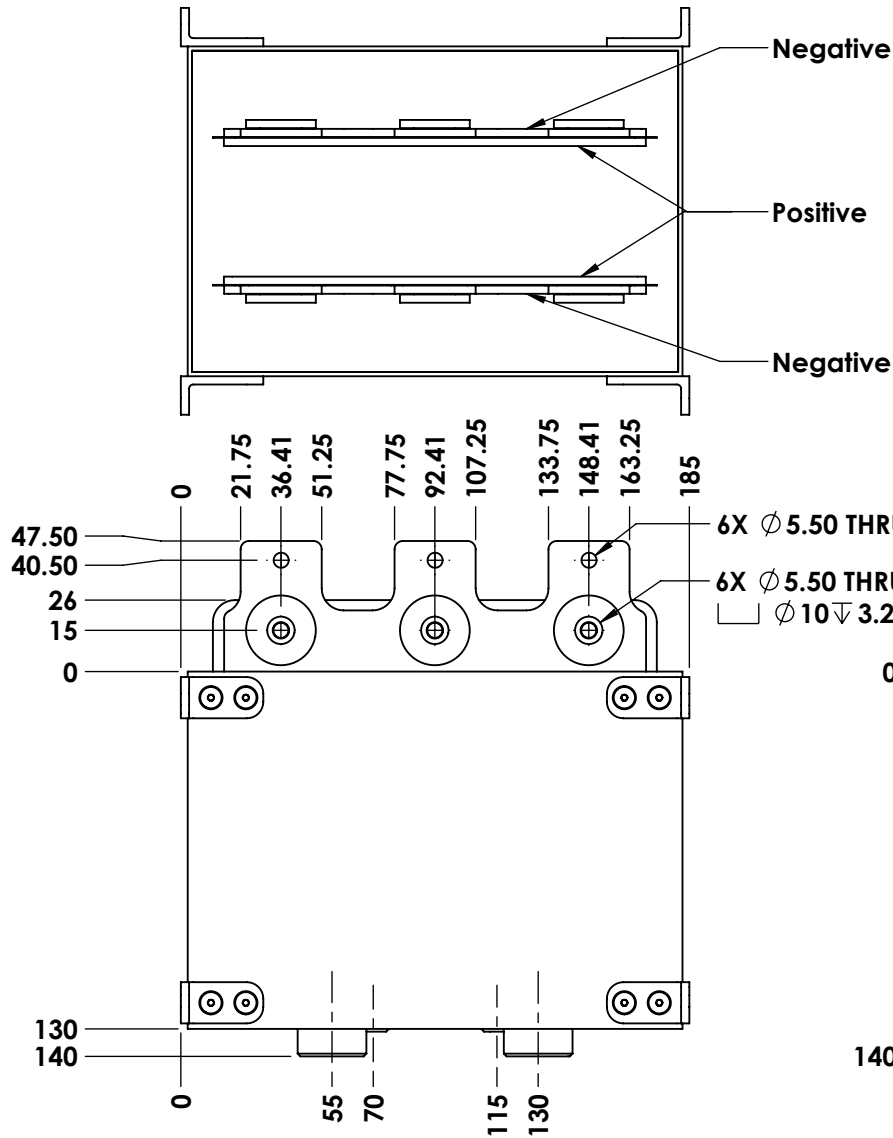
electronic concepts inc.

526 INDUSTRIAL WAY WEST, EATONTOWN, N.J. 07724

TEL: (732) 542-7880 FAX: (732) 542-0524

DRAWING NUMBER: **UP9-31204K**

TITLE: **600uF +/-10% 900VDC**




ORIGINAL

REV	DESCRIPTION	DATE	APPR BY	"THIS DOCUMENT AND THE DATA DISCLOSED HEREIN OR HERewith IS NOT TO BE REPRODUCED, USED, OR DISCLOSED IN WHOLE OR IN PART TO ANYONE WITHOUT THE PERMISSION OF ELECTRONIC CONCEPTS INC." UNLESS OTHERWISE SPECIFIED: DEBURR AND BREAK ALL SHARP EDGES MATERIAL TO BE FREE OF ANY MANUFACTURING OILS OR AGENTS.	
				DATE:	11/04/20
				DRAWN BY:	BT
				APPROVED BY:	DC
				SCALE:	NONE
E	RELEASED	11/04/20		FSCM NO.	50558

TOLERANCES (EXCEPT AS NOTED)

DECIMAL ANGLES

0.02 in ±0.5°



electronic concepts inc.

526 INDUSTRIAL WAY WEST, EATONTOWN, N.J. 07724

TEL: (732) 542-7880 FAX: (732) 542-0524

DRAWING NUMBER:	UP9-31204K
TITLE:	600uF +/-10% 900VDC